

HARTSON

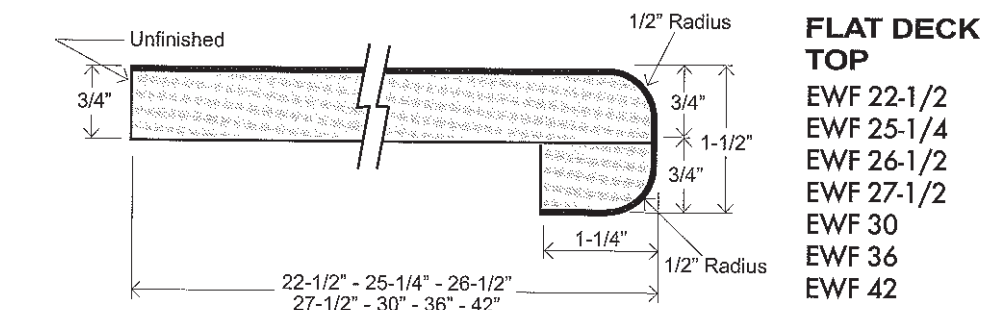
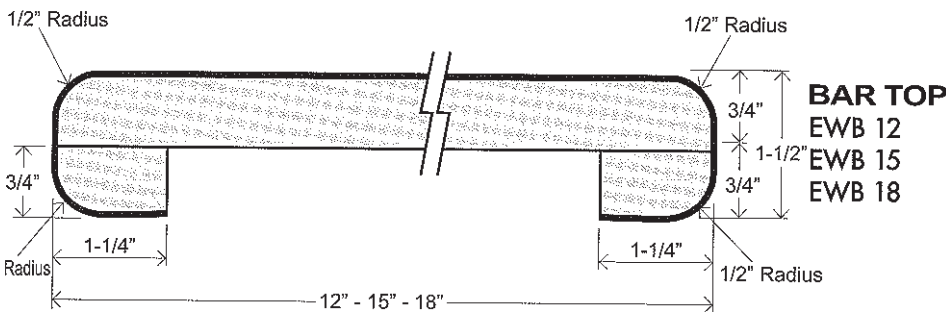
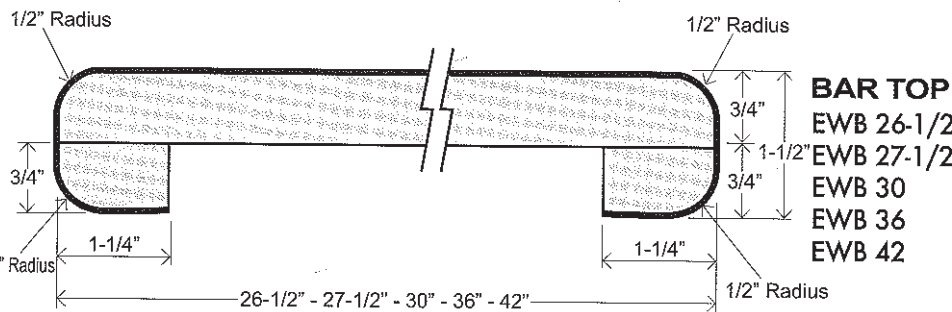
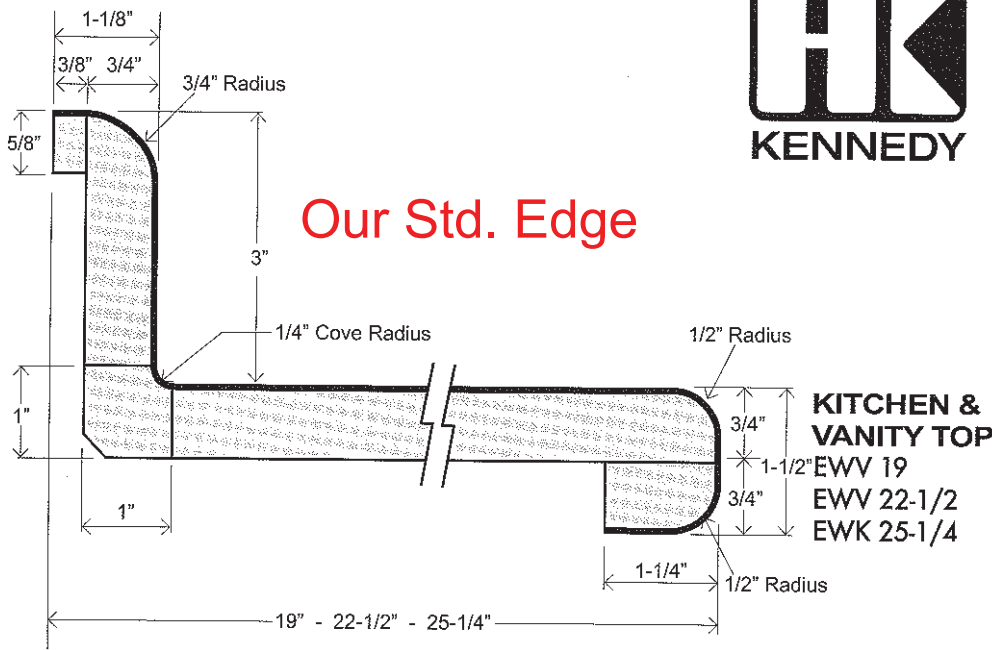


E-TOP #2000 (EUROPEAN STYLE)

FEATURES

- European profile front nose, flat face with double radius, 1-1/2" thick
- 1/4" cove radius for easy cleaning
- Featuring 1" x 1" cove molding
- 3/8" MDF scribe for fitting out-of-square walls
- 1-1/4" front build-up for floating countertop installation
- Kitchen and vanity tops feature 3" backsplash
- All bars feature double radius both sides
- Flat deck tops have flat face with double radius front side, unfinished back side

Our Std. Edge



HARTSON-KENNEDY CABINET TOP CO., INC.

CORPORATE HEADQUARTERS
 P.O. Box 3095, 522 W. 22nd St.
 Marion, IN 46953
 Phone: 800-388-8144 . Fax: 765-662-3452

10115 Lorraine Road
 Gulfport, MS 39506
 Phone: 800-846-1548 . Fax: 228-896-5905

4255 Interstate Drive
 Macon, GA 31210
 Phone: 800-477-1796 . Fax: 800-477-7689

Visit our website at:
www.hartson-kennedy.com

Unsurpassed professional quality . . . the trademark of

Form # SDS-248F
Rev. 3/23/10 S

HARTSON-KENNEDY



surfaces for living.